

Kingston



A
m
a
t
e
u
r

N
e
w
s

P.O. Box 1402 Kingston K7L 5C6

VE3KAR VE3KBR VE3UEL VE3KER
146.94(-) MHz

Next Regular Meeting of the Kingston Amateur Radio Club is
December 1, 2004 7:00 p.m. at **Smitty's** next door to Chapters book store.

Come around 5:30 p.m. and have dinner!!

Merry Christmas & Happy New Year!

Highlights in this issue

- ❖ President Notes
- ❖ Scribbles from the Editor
- ❖ Report from the Treasurer
- ❖ Upcoming Events
- ❖ Info Corner
- ❖ Minutes from November 3 Meeting & Agenda for December 1, 2004 Meeting

Deadline for November Submissions December **December 23, 2004**

Submit to VA3KDH Kim at va3kdh@rac.ca

Version 200412

Proudly Affiliated With RAC

www.rac.ca



2003-2004 Club Executive

President: VE3VJF Roy Clarke
384-5900 ve3vjf@rac.ca

V/President: VE3BGP Mike Beausoleil
634-0411 ve3bgp@rac.ca

Secretary: VE3NFU Bill Mason
389-3991 ve3nful@sympatico.ca

Treasurer: VA3 TRM Terry Murphy
389-9546 va3trm@rac.ca

2003-2004 Committee Chairs

Swap Net Manager:

VE3KFS Les Lindstrom 634-4247
ve3kfs@rac.ca
(Please call Les if you have any items
for sale or wanted)

Two Metre Net Manager:

VE3KFS Les Lindstrom 634-4247
ve3kfs@rac.ca

Newsletter Editor:

VA3KDH Kim Hay 377-6028
va3kdh@rac.ca

Repeater Committee:

VE3KFS Les Lindstrom 634-4247
ve3kfs@rac.ca

VA3GST John Taylor 353-7623
va3gst@sympatico.ca

VA3KGB Chip Chapman 377-1359
va3kgb@rac.ca

VE3JCQ John Wood 549-8915
ve3jcq@rac.ca



PRESIDENT'S NOTES

VE3VJF - President Roy

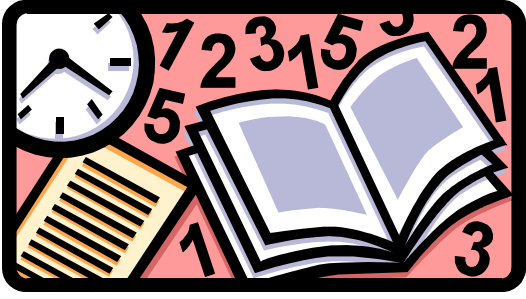
With the next year just around the corner and a new executive set to go I would like to say thanks to all the members who, in one way or another, helped me run the Club for the last three years.

As they say, "A New Broom Sweeps Clean". We will be looking forward to an exciting year with new thoughts and ideas.

In closing, I would like to wish everyone a

*Merry Christmas and a
Happy New Year.*





Scribbles from the Editor-

Kim Hay- VA3KDH

(For submissions to the newsletter please submit, doc, wpd, jpg, gif and txt files- We all look forward to everyones submissions)

Its been a year already, the time has certainly gone by quickly, more quickly than I would have liked it.

Its been a great year for the Radio Club, though we had some doubts long the way the members came through at our last elections, when the question was put to the group, "Either someone comes up to the plate to help out the club, or we fold". Its nice to see that we will continue on, and that 2005 will be a time of new beginnings and new hopes and dreams.

I personally would like to thank our Past Executive for the 2004 year.

Roy Clarke- President
Mike Beausoleil- Vice President & Past Editor
Bill Mason- Secretary
Terry Murphy- Treasurer.

Thank you gentleman for all your hard work and being their when we all needed you.

I also want to Welcome the new Executive of the KARC.

PRESIDENT - VE3RPF Rob Parker
VICE-PRESIDENT –
VE3TMT Max Donoghue
TREASURER - VE3SH Ferd Schijns
SECRETARY - VA3OL Bill Rumball

I want to wish everyone a Very Merry Holiday Season and a Wonderful New year for 2005.

Now to leave you with

[A Ham's Night Before](#)

[Christmas](#)

(Yet another corruption of Clement Clarke Moore's classic Christmas tale, this time distorted by Gary Pearce KN4AQ, and the Raleigh Amateur Radio Society, Raleigh, NC, December 2, 1996.)



Twass the night before Christmas,
And all through two-meters,
Not a signal was keying up
Any repeaters.

The antennas reached up
From the tower, quite high,
To catch the weak signals
That bounced from the sky.

The children, Tech-Pluses,
Took their HT's to bed,
And dreamed of the day
They'd be Extras, instead.

Mom put on her headphones,
I plugged in the key,
And we tuned 40 meters
For that rare ZK3.

When the meter was pegged
by a signal with power.
It smoked a small diode,
and, I swear, shook the tower.

Mom yanked off her phones,
And with all she could muster
Logged a spot of the signal
On the DX PacketCluster,

While I ran to the window
And peered up at the sky,
To see what could generate
RF that high.

It was way in the distance,
But the moon made it gleam -
A flying sleigh, with an
Eight element beam,

And a little old driver
who looked slightly mean.
So I thought for a moment,
That it might be Wayne Green.

But no, it was Santa
The Santa of Hams.
On a mission, this Christmas
To clean up the bands.

He circled the tower,
Then stopped in his track,

And he slid down the coax
Right into the shack.

While Mom and I hid
Behind stacks of CQ,
This Santa of hamming
Knew just what to do.

He cleared off the shack desk
Of paper and parts,
And filled out all my late QSLs
For a start.

He ran copper braid,
Took a steel rod and pounded
It into the earth, till
The station was grounded.

He tightened loose fittings,
Resoldered connections,
Cranked down modulation,
Installed lightning protection.

He neutralized tubes
In my linear amp...
(Never worked right before --
Now it works like a champ).

A new, low-pass filter
Cleaned up the TV,
He corrected the settings
In my TNC.

He repaired the computer
That would not compute,
And he backed up the hard drive
And got it to boot.

Then, he reached really deep
In the bag that he brought,
And he pulled out a big box,
"A new rig?" I thought!

"A new Kenwood? An Icom?
A Yaesu, for me?!"
(If he thought I'd been bad
it might be QRP!)

Yes! The Ultimate Station!
How could I deserve this?
Could it be all those hours
that I worked Public Service?

He hooked it all up
And in record time, quickly
Worked 100 countries,
All down on 160.

I should have been happy,
It was my call he sent,
But the cards and the postage
Will cost two month's rent!

He made final adjustments,
And left a card by the key:
"To Gary, from Santa Claus.
Seventy-Three."

Then he grabbed his HT,
Looked me straight in the eye,
Punched a code on the pad,
And was gone - no good bye.

I ran back to the station,
And the pile-up was big,
But a card from St. Nick
Would be worth my new rig.

Oh, too late, for his final
came over the air.
It was copied all over.
It was heard everywhere.

The Ham's Santa exclaimed
What a ham might expect,

"Merry Christmas to all,
And to all, good DX."

See you all in January 2005!!



Report from the Treasurer

Terry Murphy- VA3TRM

Dues..Dues..Dues

*Are due now!!! \$20.00 for
regular membership, \$10.00 for
IRLP. Please see Terry before the
meeting or at the break to pay up
for the 2005 membership year!!
You have until December 31, 2004
to pay up- avoid the **RUSH!!***

NEW MEMBERS

Lets **Welcome** our new members to the
club.

VE3VGX Greg Stoute

*From Eldon Switzer
VE3HGO/VA3HGO via Roy
Clarke*

Hello radio operators, and those of
you who may have what it takes to

become one. Perhaps you, who are visiting a radio station right now or intend on seeing how one operates at some time in the near future. Welcome to the world of thrilling, wireless radio communications. On the desk perhaps, in front of you, or for those of you, who have your very own station, and not relying solely upon the fragile communications, infrastructure of our society today, with blackouts and brownouts, have and can be confident, an amateur radio station, will and can put you in touch with the rest of the world, reaching to the most distant points of major continents, spanning the globe with radio signals, when all other means of communications will fail, either due to man induced intervention, or perhaps due to natural disasterous unfore scene events.

You have and can obtain the knowledge and skills, of studying radio waves selected from the LF, HF, VHF, and UHF, radio spectrum, and using all of the available modes, spanning from morse code, to various voice modes to using the interconnection of a PC, allowing some of the most advanced digital modes available to man, in this twenty first century, to continue to explore the radio waves helping others, around the world. Using what the Almighty Creator had designed while the earth and the heavens were in

darkness, and then revealed before the heavenly host, the radio waves, including light waves which brings us day light . What had been designed in eternity past and has been given to us to discover, to use and to manipulate, perhaps discovering something, that will help humanity communicate, to inspire peace, to encourage hope for the future, to those in these uncertain times we are living in.

Go now and explore the world of ham radio, meeting other fellow explorers, riding the radio waves into unknown regions of exploration, even with those searching the outer limits of deep space, aboard the International Space Station. Although radio waves travel the speed of light, approximately traveling one hundred and eighty six thousand miles per second. It will not be uncommon to wait lengths of time for your signal to reach its destination. Or perhaps it will be you, waiting for the signal to arrive at your station. Go and do with what were given before time, and take a journey at the speed of light, travel to unknown regions, to destinations never before, to places never dreamed possible until what is now, not only realization, but indeed reality.

Upcoming Events

Info Corner

December 1, 2004 KARC Regular Meeting 7:00 p.m. Smitty's Back Room

December 20, 2004 Kingston ARES Meeting, 7:00 pm. Kingston West Firehall

January 5, 2005 KARC Regular Meeting 7:00 p.m. Smitty's Back Room

Every **Tuesday** at 7:00 p.m. ARES Net on VE3KBR

Every **Wednesday** at 7:30 p.m. KARC Net VE3KBR

Every **Saturday** Breakfast at Smitty's Starts at 8:00 a.m. but come early and chat

KARC Web page designed and maintained by: VA3KGB, Chip

<http://www.king.igs.net/~karc/>

Join the KARC email list

<http://www.smartgroups.com/groups/karc>

The **ARES** web site is maintained by VA3KDH, Kim Visit our site at: <http://www.qsl.net/kingstonares/index.html>

100th ANNIVERSARY OF ELECTRONICS

Researchers are marking November 16, 2004 as the 100th birthday of electronics, which began with British scientist, John Ambrose Fleming's 1904 invention of the first practical electronic device. Known as the thermionic diode, this first simple vacuum tube, containing only two electrodes, could be used to convert an alternating current(ac) to a direct current(dc.)

URL's VA3ZE/VE3UDO Tom
For those interested in Packet and other digital modes:

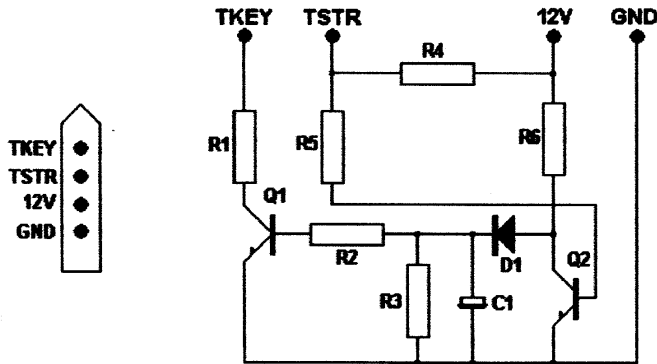
<http://www.qsl.net/wa7mld/>

Antennas

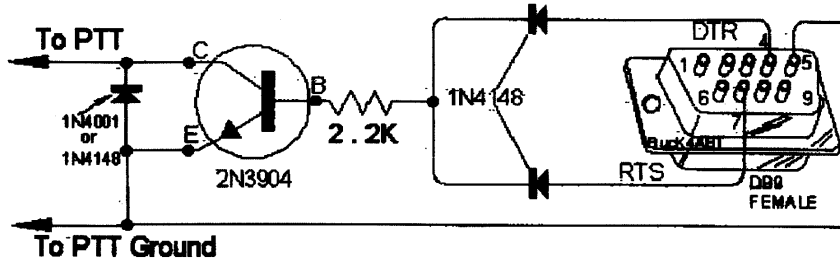
<http://www.antentop.bel.ru/>



G4FZN IC706 AUTOTUNE UNIT BY G3VFP



- R1 - 10K** **Q1,Q2 - 2N2222 OR COMMON NPN**
R2 - 22K **D1 - 1N4148**
R3 - 220K **C1 - 100MFD**
R4 - 47K
R5 - 100K **PRESSING THE TUNER/CALL BUTTON WILL**
R6 - 15K **GIVE 10 SECS OF 10W OUTPUT.**



THIS CIRCUIT WILL ENABLE PTT USING EITHER "RTS" OR "DTR" CONTROL. ENABLE PTT CONTROL WITHIN SOFTWARE. eg. "DigiPan II" etc...

One is for a Icom IC706MKIIG or using the auto tune button for tuning up the other is a interface for SSTV and DigiPan using the sound card. Submitted by VA3ZE/VE3UDO Tom-73

**MINUTES OF THE MEETING OF THE KINGSTON AMATEUR RADIO CLUB
HELD ON WEDNESDAY, NOV. 3rd at SMITTY'S RESTAURANT,
PRINCESS ST.**

One minutes silence was observed for two recent silent Keys Pat Baggs and VA3LK
Larry Kayser.

1. Agenda...No changes

2. MINUTES OF THE OCTOBER MEETING - Moved by VE3NFU Bill Mason that minutes be approved as printed in the Newsletter. Seconded by VA3ZE Tom Lloyd.....carried.

3. TREASURERS REPORT- by VA3TRM Terry Murphy. Income \$200. Expenses \$1,092.90 (Newsletter \$20.07, Guest speaker \$11.61, Postage \$26.22, Equipment \$1,035 total expenses \$1,092.90) Showing minus \$892.90 for the month. Total cash in bank \$5,209.22.Moved by VA3TRM Terry that report be accepted as read...seconded by VE3FFR Doug Richardscarried

4. OLD BUSINESS

A: ANTENNA ANALYZER - VE3GST John Taylor reports that he and VA3ORP Dave Lawrence are in the process of investigating the problem with the analyzer.

B: LAPTOP - Has been purchased

C: SECOND REPEATER - VE3KFS Les Lindstrom and VA3ZE Tom Lloyd working on problems with cavities.

5: NEW BUSINESS

ELECTION for 2005

The following members volunteered to run as officers for the following positions;

PRESIDENT - VE3RPF Rob Parker

VICE-PRESIDENT - VE3TMT Max Donoghue

TREASURER - VE3SH Ferd Schijns

SECRETARY - VA3OL Bill Rumball

Motion was made by VE3VOB Bill Hale that each person be voted on separately for the positions.

All were duly elected by unanimous vote.

6: REPORTS:

A: RAC - No report

B: Net Manager - VE3KFS Les Lindstrom - net going well

C: **KARC Newsletter** - VA3KDH Kim Hay needs input from members

D: **Webpage** - VA3KGB Chip Chapman invites input (pictures, articles)

E. **MORSE CODE CLASS** - VE3NWV will be conducting a CW course at the Kingston Airport commencing On November 10th 7:pm. Invites members to come out and lend a hand.

F. **VE3KC** Steve Cutway reports a Technical Display will be shown at the Seniors Centre this coming Saturday between 9:00 a.m. and 3:30 p.m. Centre is located on Francis St

50/50 DRAW was won by VE3VOB Bill Hale (\$18.50)

ADJOURNMENT: (7:40) Moved VE3KC Steve Cutway

VE3NFU Bill Mason
Secretary KARC



KARC AGENDA

Meeting December 1, 2004

1. Additions and/or deletions
2. Minutes of November 3 2004 Club meeting. Errors/Omissions
3. Treasurer's Report
4. Old Business
 - a) Antenna Analyzer Report
 - b) Second Repeater Report
5. 50/50 Draw
6. New Business
 - a)
7. Reports
 - a) RAC
 - b) Net Manager - VE3KFS
 - c) KARC Newsletter – VA3 KDH – We want your articles!!
 - d) Webpage - VA3KGB
 - e) Any other reports
8. Adjournment