

Kingston Amateur News

Feb 2002

P.O. Box 1402 Kingston K7L 5C6

No 132

NEXT CLUB MEETING

Feb 6, 7:00 p.m. (Wednesday)

MEETING PLACE: Smitty's

2376 Princess (next door to Chapters)
Easier access for everyone.

GUEST SPEAKER: New Repeater Project by VE3KFS, Les



Proudly Affiliated
With RAC



President's Notes

"In the upcoming months a lot of things could happen as we move into the New Year. At the February meeting Les Lindstrom, VE3KFS, will be making a presentation to the club on a 'New Repeater' along with the various stages that would be involved with it.

No quick decision will be asked of you that evening. You will be able to decide **ONE MONTH LATER** at the **March** club meeting when there will be a secret ballot vote on this proposal.

Only YOU, as club members will make the final decision."

Especially this month, come one come all. Be present and listen to the New Repeater Project presentation. As a KARC member your presence is highly requested. Come and make an informed opinion on the topic of New Repeater and then later decide on what the KARC direction will take.

KARC Web page designed and maintained by: VA3KGB, Chip
<http://www.king.igs.net/~karc>

2001 EXECUTIVE OF KARC:

President	VE3VJF Roy Clarke	384-5900	ve3vjf@rac.ca
V/President	VE3BGP Mike Beausoleil	634-0411	ve3bgp@rac.ca
Secretary	VA3HAW Brian Allen	545-0619	va3haw@rac.ca
Treasurer	VA3KDH Kim Hay	353-1189	va3kdh@rac.ca
Past President	VA3AIL Leo Ashley	354-6914	

SWAP NET MANAGER:

VE3KFS, Les Lindstrom 634-4247 ve3kfs@rac.ca
(Please call Les if you have items for sale or wanted)

TWO METRE NET MANAGER:

VE3KFS, Les Lindstrom 634-4247 ve3kfs@rac.ca

NEWSLETTER EDITOR:

VE3BGP, Mike Beausoleil 634-0411 ve3bgp@rac.ca

REPEATER Committee:

VE3UDO Tom Lloyd (Chm) 542-7442 ve3udo@sympatico.ca
VA3GST John Taylor 353-7623 va3gst@king.igs.net
VA3KGB Chip Chapman 377-1359 va3kgb@rac.ca
VE3JCQ John Wood 549-8915 ve3jcq@rac.ca
VA3AIL Leo Ashley 354-6914

KARC Equipment:

Our new "KARC Equipment Manager" VA3KGB, Chip is making a detailed listing of all KARC owned assets. If you can help in any way, Chip requires the where about of all KARC equipment. If you can help give Chip a call or send him an e-mail. va3kgb@rac.ca

A belated Happy New Years to one and all. Our editor has been asking for submissions, so instead of going on about the glory of 6 metres and how many countries were worked with 10 watts, I would like to submit an article about the Canada Winter Contest.

Maybe I should have said **"Would like to have"** submitted an article about my participation in the contest. You see, during the Christmas break from RMC, one of the places I went to was Niagara Falls/Fort Erie, just across from Buffalo. Buffalo received 6-7 feet of snow, we received 1.5 metres of it. Much to my kids delight (us hailing from Victoria BC...remember VA7MM?) and my horror, we were snowbound down there. Mind you, 5 cm of snow in Victoria would have snow bounded me there as well!

The big day arrived; I watched the second hand sweeping up to the contest start time. Darn, stuck there with no chance of entering the contest or picking up any new grid squares...what was a frustrated contester/dxer to do? No way of winning an award this year...or was there?

Have you ever tried for the **WAS** (worked all states) award? Try it next time you are bored, or stuck somewhere without your radio (ie airport lounge). Just pick up the phone and dial 1-800 and any seven digits! I forget who first started this idea, but you would be amazed by the places you reach at random. As an added bonus now adays, we have the other toll free numbers of 1-888 seven digits (but personally I would treat these like the WARC bands and should be restricted from this type of contesting).

Now, if I could only get the other people at the other end of the QSO to QSL...but wait...oh darn, a busy signal.... must be a pileup!
(The above has been submitted as tongue-in-cheek)

VA3OR, Kevin

NEW REPEATER PROJECT

At the K.A.R.C February 6, 2002 club meeting Les, VE3KFS will be making a presentation on the above project. A question and answer period will follow.

Members will be asked to vote on this project at the **MARCH 6th** club meeting at which time a ballot box will be available for a secret ballot vote.

If you wish, you can cut out the ballot from your Newsletter and bring it with you to the meeting. E-mail replies will NOT be accepted.

* If you are unable to attend the March meeting you will be afforded the opportunity to vote by completing and sending, by return mail, a ballot attached to the March Newsletter. Ballots sent by mail must be received before March 6, 2002 to be included in the count.

MINUTES OF THE MEETING OF THE KINGSTON AMATEUR RADIO CLUB HELD ON JANUARY 9 2002 AT SMITTY'S

Minutes of December meeting: Moved by VA3KGB and second by VE3KC that the minutes be adopted as read. Motion carried

Treasurer's report: Balance: \$5085.16, income: \$186.50 and expenses \$952.40. Moved by VA3KDH and seconded by VA3ORP that the Treasurer's report to be adopted as read. Carried

Old Business:

St.Mary's: Don VE3KDW says he will take the antennae's down and will need some help.

Battery for VE3UEL: Cost was 56.30 and was bought by Les VE3KFS and installed by VE3GWS. System is fully operational.

New Business:

Equipment Manager: the club executive has appointed Chip VA3KGB to this position. The rules for loaning club equipment were reviewed and accepted with the amendment of " the equipment not to leave club membership area". Chip will finalize the rules and make available to members. Chip would also like to have the serial numbers of any club owned equipment in the care of members.

Membership Application forms: VE3KDH Kim discussed that these will be made and handed out

to members for recruiting new members and/or renewals.

Drop of \$10 charge for loan of analyzer: The charge is being dropped and the analyzer will be covered under the rules for loaning of club equipment.

Field Day: Bob VE3GLO will be heading this project and will report at next meeting.

GOTA: February 16-17. Mike VE3BGP will be running this at the C+E Museum and will be looking for assistance.

Picnic: An announcement will be placed in the newsletter for input from members.

50/50 DRAW WAS WON BY OLLIE VE3LXO

Report on Marconi Day: Dave VA3ORP gave an informative presentation on his Marconi Day operations from Fort Henry with his 19 set.

REPORTS

RAC: Ron was not present.

VE3KFS: Les reported that he is testing a .wav file on the node ID for about a day and it will be heard on the repeater. Les also showed the new power supply that was bought to replace the older bigger one in use by the node, this power supply is smaller and was ordered by ARES in part with their own order for power supplies.

Repeater Project:

Les made a proposal that the club give him permission to buy VHF/UHF repeater antennae not exceeding \$1900.00 in price, this would include coax. A discussion was held and a motion by Tom VE3UDO that the discussion be tabled to the February meeting. Seconded by Steve VE3KC. Carried.

Les was requested to produce a summary of what is involved in the repeater project as requested in the beginning. This would be published in the newsletter and on the web page.

KARC Newsletter: Mike VE3BGP would like more articles.

KARC Web page: Chip VA3KGB reported that the pictures of Dave and John from Marconi day are now on the web page.

Hearts and Flowers: Stu VE3IVX is now at home and John VE3JCQ's dad has passed away, a card has been sent. VE3LDM Larry's dad has also passed away.

Tom VE3UDO asked if anyone was interested in a SSTV 2M net. The interest was quite good and the net will be Wednesday nights at 7pm on simplex. Tom will be giving a SSTV demo an upcoming meeting.

Steve VE3KC thanks all those involved with the presentation at the computer club.

RAC operating manuals are available for \$22.00, \$2.00 will go to the club. See Les VE3KFS, there are only 4 left.

VE3UDO moved that the meeting adjourn at 20:27. Carried.

Brian Allen
VA3HAW
Secretary

From the Treasurer
Kim Hay VA3KDH

To help our members of the club understand our finances and see what we have in our accounts, I have enclosed our balances, and summaries of accounts. In the past we always had a financial month based on the 1st to the 30th of the month, now we are going to go from the 15th to the 15th so this can be included in our newsletter. Below are the summaries. If you have any questions, you can email me at va3kdh@rac.ca or come and see me at the meeting.

KARC-All Accounts 02-01-22

Account Balances Report

As of 02-01-15 (in Canadian Dollars)

ASSETS

Cash and Bank Accounts

KARC Chequing 5,055.20

St.Mary's Hospital 156.00

TOTAL

Cash and Bank Accounts 5,211.20

KARC-Bank,Cash,CC Accounts

Summary Report

01-12-15 Through 02-01-15 (in Canadian Dollars)

INCOME

TOTAL INCOME 312.05

EXPENSES

TOTAL EXPENSES 122.04

TOTAL INCOME - EXPENSES 190.01

ARES MEETING

The next regular ARES meeting will be on Monday 18 February 2002 at Kingston West Fire Hall, Woodbine and Bayridge roads at 19:00 hrs. Visitors are always welcome!

Visit our site at: <http://www.qsl.net/kingstonares/index.html>

The ARES web site is maintained by VA3KDH, Kim

Summer 2002 Picnic

KARC is looking for someone to plan and organize this summer picnic in early July. This picnic would involve members of KARC / ARES and YL and XYL.

If you are interested please contact Mike, VE3BGP.

The Two Meter Twin-lead J-pole

by Ralph VE4RY

Thanks to Ralph for this very popular two meter antenna. This one has been around for many years as I have personally used it on 2 meters and on 20 meters also. The 20 meter one was a bit of a monster to keep up in the air. This antenna can be used as a foldup type for portable use and when inserted inside a ridged mast such a ABS or PVC pipe it can be mounted to the house for fixed use.

Materials needed are simple to find and inexpensive.

- 54.75 inches of Solid dielectric TV twin-lead (not the foam type)
- 54 inches of RG-58 coax
- A female BNC connector
- Some good plastic electrical tape

The usual tools, soldering iron, solder, wire cutters, tape measure SEE the diagram below:

With the twin-lead, cut away the insulation at the top and bottom to expose 3/8" of wire.

Solder these together so that each end of the twin-lead is shorted. Measure up from the bottom of the twin-lead

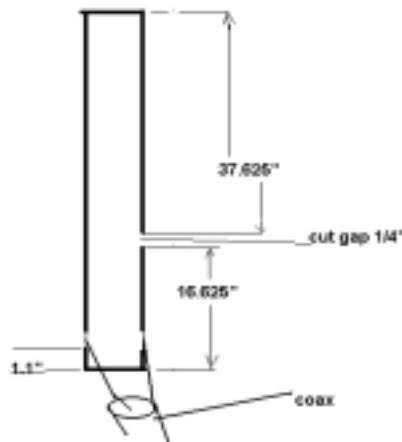
16.625" and cut out a 1/4" gap from one side thus cutting one wire in the twin-lead. Tape over this opening.

Measure up from the bottom of the twin-lead 1.1" and cut away 3/16" of the INSULATION only. You should now have the two wires exposed. Take the RG58 coax and expose one end and solder the center wire to B

and the shield to C. Use caution here to not melt too much of the twin-lead. Attach the BNC connector to the other end of the coax. Tape well all connections. You might want to use shrink tubing for this end and at the gap.

You can make a hole at the top end and using a string hand the antenna. I have used this antenna while on business trips to Toronto and Vancouver. using a suction cup at the top, hanging it in the hotel window. When your are on the 15th floor you can get fantastic range with your hand held. If you need more help with this and any other antenna contact me any time.

Thanks again to Ralph VE4RY



VOTING BALLOT NEW REPEATER PROJECT
YES
NO
RETURN TO: P.O. BOX 1402, KINGSTON, ONTARIO, K7L 5C6 / or bring it in person at the March 2002 meeting / E-mail ballot will not be accepted